

# PHONE SAFE SUMMIT

## PROTECTION AGAINST A MOBILE PHONE'S SURROUNDINGS LISTENING AND RECORDING

Obviously mobile phones have an infinite number of benefits for communication and business; however, they also create certain threats of information leakage. One of the potential leakage channels is the phone's microphone being able to pick up surrounding acoustics with a high sensitivity.

The PHONE SAFE SUMMIT has been developed by information security professionals to protect against this exact type of threat.

While developing this product the following features and vulnerabilities of modern phones were taken into account:

- The phone can be intentionally, or covertly, 'off-hook' during important negotiations
- Voice recording software can intentionally, or secretly, run on the smartphone
- Listening software can run in a 'stealth' mode
- Spyware can be installed on the smartphone without the owner's knowledge, allowing attackers to activate covert eavesdropping around the phone. There are known cases of transmission of such software by exploiting the vulnerabilities of some messengers
- The acoustic environment around the phone can be transmitted to the server, or cloud service of the attackers either in real time or with a postponed uploading
- Smartphone apps which have access to the phone's microphone can be used for eavesdropping in cases of them having been hacked (usually messengers or social network apps)
- Uploading of information can be done

in the following ways:



CONVENTIONAL  
VOICE CALL



MOBILE  
INTERNET



Wi-Fi



BLUETOOTH



THE PHONE'S  
CONNECTOR

Unfortunately, the creation of radio interference (RF jamming of mobile communications, Wi-Fi and Bluetooth) does not guarantee protection, as there is still the possibility of accumulating information in the phone's memory (voice recorder mode). Given this factor, the only reliable way to protect is to block the phone's acoustic channel. This prevents acoustic information from leaking, regardless of how it is listened to or transmitted. A number of modern technologies have been used in the PHONE SAFE SUMMIT device for your protection.

### FEATURES AND ADVANTAGES

- Blocks the microphone of the phone with the help of non-filterable inaudible ultrasonic interference
- Efficiently prevents surround recording app from capturing conversations and sounds
- Suppresses both the bottom and upper microphones of the phone by creating two-side interference
- Up to 4 phones can fit inside
- Inaudible frequency of interference has been optimally selected for the best performance and affects all existing models of smartphones
- Made with the design of an attractive natural wood stand
- The acoustically isolated phone can remain close to the owner where the screen can be easily observed
- The phone stays online and available for incoming calls
- No illegal radio jamming
- Can be powered by the external USB, or from the built-in rechargeable battery
- Has 2 sensors, increasing the battery's resource: the device starts producing interference when a phone is inserted (IN USE sensor) and a conversation is present (ACTIVE sensor)
- Is compatible with all types of phones (max. height 180 mm)

### SPECIFICATION

#### INTERFERENCE

Type of interference	Ultra sound, inaudible frequency
Power of noise	<2 W in the active area

#### DIMENSIONS AND WEIGHT

Dimensions (width x height x depth)	262 x 78 x 82 mm
Compatible phones	Height up to 180 mm
Weight	600 g

#### POWER

Source	1) USB 5V 2) Built-in rechargeable battery
--------	---

Current consumption	500 mA (noise mode) 6 mA (stand-by mode)
---------------------	---

Battery	Li-Ion, 3.7 V, 6800 mAh
---------	-------------------------

#### CONNECTOR

Battery resource	USB Type C
Recharging time	> 10 hours
	12 hours

#### OTHER

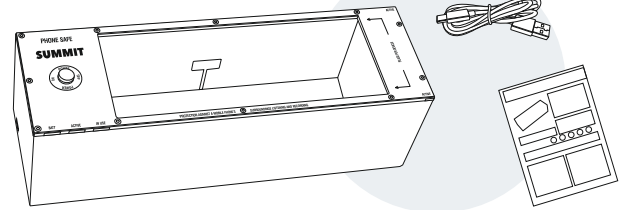
Sensors	IN USE , ACTIVE
Indicators	BATT, ACTIVE, IN USE
Capacity	Up to 4 phones





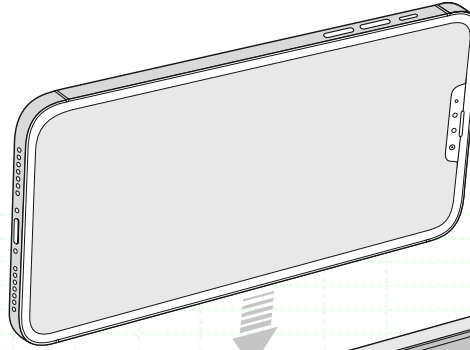
## SUPPLIED SET

- PHONE SAFE SUMMIT device
- USB Type C cable
- User manual



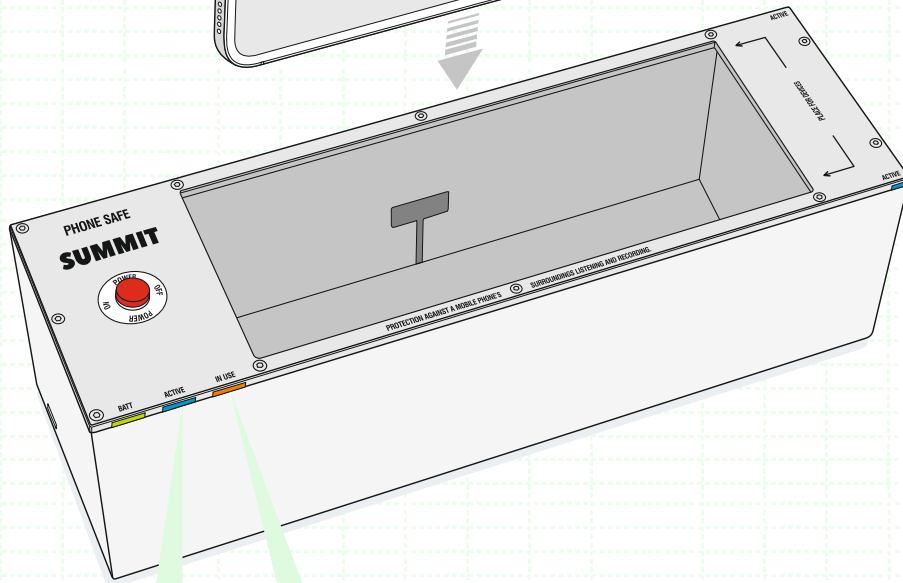
## USAGE

**1** Place the PHONE SAFE SUMMIT on the table/desk in front of the user and insert the phone which is to be protected inside



The phone should be positioned with its side down (put on its side).  
Up to 4 phones can fit inside the device

**2** Press the "POWER" button



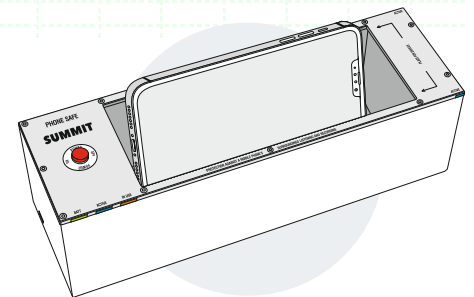
• "ACTIVE" (blue LED) – confirms activity of the noise generator and the presence of sound

• "IN USE" (orange LED) - indicates that a phone is installed in the device



## TESTING

To make sure that the interference is effective, turn on the voice recorder on your phone and insert it in the PHONE SAFE SUMMIT. Create test sounds, then playback the recording.



## BATTERY AND RECHARGING

For stationary use, or in order to recharge the battery, connect the USB charging cable to the socket on the left side of the device and the other end to a USB socket of a phone charger or computer. The USB slot of the device will glow red while charging, and will turn off when the battery is fully charged.

The "BATT" LED will change its color depending on the battery's level of charge:

- GREEN - the battery is full
- ORANGE - the battery is half discharged
- RED - the battery is low and needs recharging

**Note:** When the BATTERY indicator is red, the device will stop producing interference. To continue securing your phone, connect the device to a charging source (USB).



## RECOMMENDATIONS FOR USE

The PHONE SAFE SUMMIT can be used alone or as part of a wider speech protection system. Equip the meeting room, or office, with the required number of devices, taking into account the maximum number of visitors. For continuous use, ensure that the required number of USB ports are available near the devices.